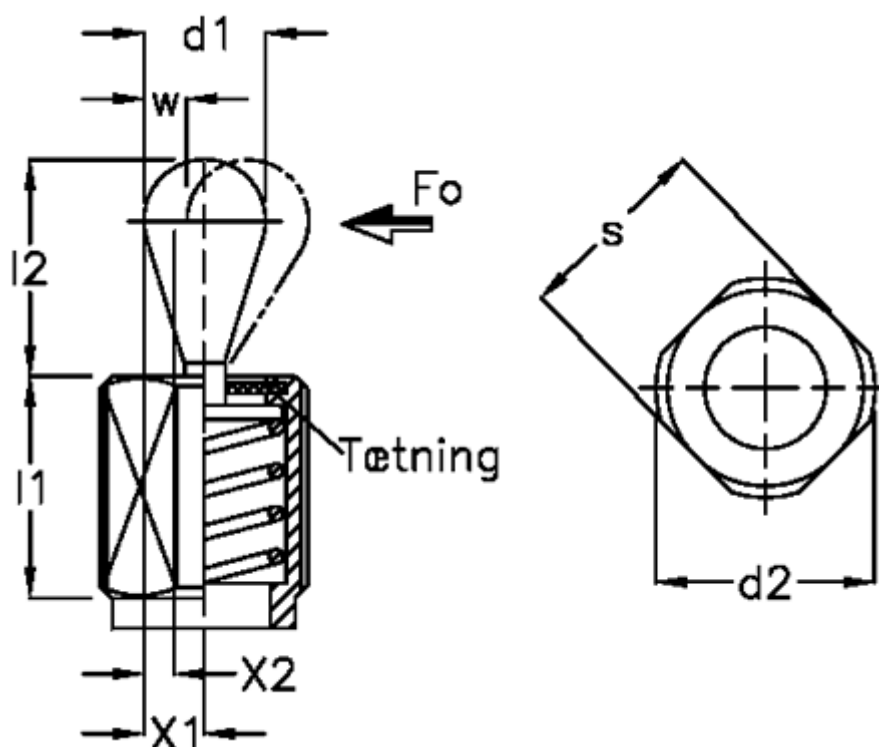


Article number: 20113047

Description: E+G
Side thrust pin GN 713-6-150-19-SB

Measures



a1 = 3.0	s	= 3
a2 = 7.7	screw driver	= GN 713.1-5,6
d1 = 6	Side power N at l2 = 150	
d2 = M12	W	= 1.8
K = 1,5x45 degrees	x1	= 1.9
l1 = 19.0	x2	= 1.4
l2 = 10.7		
l3 = 10		